

AstroPure[®] 3400 with H14 HEPA Filter

AIR PURIFIER



Advantages & Benefits

- Designed to equip with 3 stages of high-performance filters which can effectively remove harmful pollutants
- Equipped with safety limit switch to protect the operators
- Constructed with 2" insulated wall panel for better noise reduction and prevention of condensation
- Design and built for application which demands higher airflow and to meet higher ACH requirement
- Safe and easy to maintain
- The unit equipped with Germicidal protection is available

Product Overview

AstroPure[®] 3400 is applicable for several air purification applications. It is suitable for different kinds of environments, especially for hospitals, dental clinics, schools, airports, financial institutions, hotels, shopping malls, and other that requires clean air.

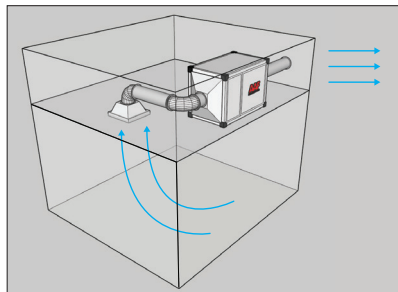
Application

AstroPure[®] 3400 is a stand-alone air purifier unit, designed as a multi-application air purifier, it can be used to improve the air quality of the **Recirculation air** by removing PM2.5, bacteria, and virus carried by building occupants entering the room. It is also recommended for the **Negative Pressure** rooms applications, filtered the contaminated air before releasing it into the environment.

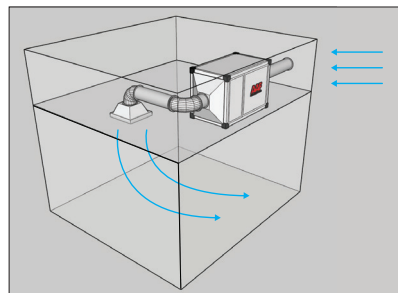
Intensify Germicidal Protection

UVC lamps (short wave: 100 – 280 nm, primarily 254 nm) are designed to kill or deactivate microorganisms such as viruses, bacteria, and fungal spores and fragments that are airborne or growing on the surface. Air purifier typical Airstream Disinfection application has the potential to kill the viability of vegetative bacteria, mold, and viruses. Surface Disinfection to prevent or limit the growth of vegetative bacteria and molds on moist surfaces.

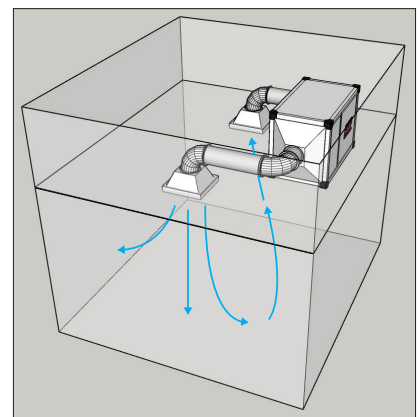
Optional Air Outlet



Suitable for Negative Pressure Room



Suitable for Positive Pressure Room



Suitable for indoor air Recirculation

AstroPure® 3400

Powerful Filtration Stages

First Stage - AmAir® 300E

The AmAir® 300E filter is ideal for protecting the secondary and HEPA air filters from premature dust loading and replacement. The filter media is made of non-woven synthetic cotton, pleat, and finishing with wire mesh bonded at the air leaving side to provide good support. The media is bonded with PU onto the filter frame to prevent cracking or deteriorate under extreme operating conditions and at the same time, to maintain the pleats in uniform spacing.



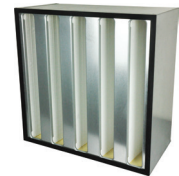
Secondary Stage - VariCel® II

Designed for high performance under both normal and extreme operating conditions. VariCel® II filters are appropriate for HVAC applications operating with variable air volume, turbulent airflow, and high humidity. It is also available with antimicrobial properties. Antimicrobials inhibit the growth of microorganisms documented to affect IAQ.



Third Stage - AstroCel® III

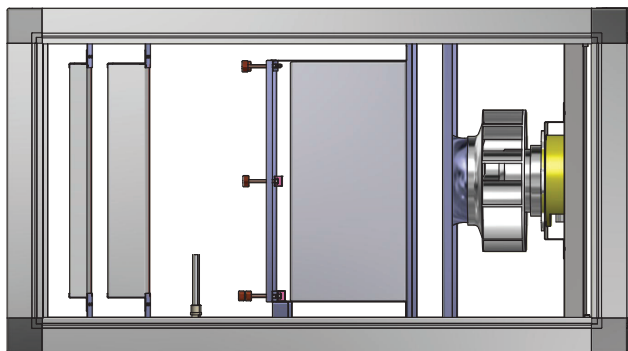
Designed to meet demanding requirements of the most critical applications like pharmaceutical, semiconductor, the hospitals, laboratories and more. Effective media area provides higher airflow, lower resistance, high dust holding capacity, and long service life. The large media area and lower resistance of the AstroCel® III HEPA filter can greatly reduce the operating cost "fewer change out means more savings".



Specification

Air Flow	3400 m ³ /h
Application Area	181 - 317 m ²
Housing Color / Material	Solid White, Powder Coated RAL 9016
Filter Configuration	AmAir® 300E G4 + Varicel® II F8 + Astrocel® III H14
Optional	UV Light (18W)

Structure



- A** 1st Stage Filter
- B** 2nd Stage Filter
- C** UV Light (Optional)
- D** Final Stage Filter H14 HEPA
- E** Motor

Asia Sales Office

American Air Filter Manufacturing Sdn. Bhd.
(HQ - Malaysia)
(Penang - Malaysia)

Tel : +60 3 5039 7777
Tel : +60 4638 4100

AAF Australia Pty. Ltd.
(NSW HQ Sales Office)
(VIC Sales Office)

Tel : +61 2 9725 5443
Tel : +61 3 9701 5251

AAF International (Thailand) Co., Ltd.

Tel : +66 2348 3870

AAF Singapore Pte. Ltd.

Tel : +65 6897 0383

PT. AAF International Indonesia

Tel : +62 21 574 6188

For enquiries email us at
marketing@aafmal.com



Bringing clean air to life.
www.aafintl.com

AAF has a policy of continuous product research and improvement and reserves the right to change design and specifications without notice.

©2020 AAF Malaysia

MAFP-1-003A 11/20