



# AstroHood S-III RSR-III

## Product Overview

AstroHood S-III RSR-III HEPA module is room side replaceable HEPA terminal housing. It's designed to be flexibly installed, and easily accessed for maintenance and service.

## Key Features



### Fully Room Side Serviceable

HEPA filter replaceable from room side and test port allows for room side filter integrity testing for quick and easy maintenance



### Fully Welded Corners

Leak Free design prevents unfiltered air from entering the controlled environment



### Gel/Gasket Seal Filter Design

Reduce the risk of any filter bypass with a highly effective seal and superior air tightness



### Tool Free Maintenance

Filter and supply air grille are removable without the need of tools ensuring quick and easy maintenance



### Aluminium Housing Design

Lightweight aluminium housing material ensures effortless handling and resistance to corrosion



### Versatile Installation

The Universal T Mounting Bracket can be repositioned along the housing perimeter, allowing flexible anchoring to the ceiling structure for secure installation



## Key Highlights



## Housing Specification

<b>Housing Depth (mm)</b>	258
<b>Housing Material</b>	Aluminium
<b>Supply Air Grille Material (Standard)</b>	Gl Finished with Epoxy Coated
<b>Supply Air Grille Material (Optional)</b>	Stainless Steel
<b>Supply Air Grille Type</b>	Perforated, Swirl
<b>Inlet Collar (mm)</b>	200, 250, 300
<b>Inlet Diffuser</b>	Prefixed Distribution Plate
<b>Top Material (Standard)</b>	Galvalume
<b>Top Material (Optional)</b>	Aluminium, Stainless Steel
<b>Test Port</b>	Yes
<b>Special Size Available</b>	Yes

## Filter Specification

<b>EN1822</b>	H13 - U17
<b>ISO 29463</b>	ISO 35 H - ISO 75 U
<b>Filter Depth (mm)</b>	117, 128
<b>Media Type (Standard)</b>	Fibreglass
<b>Media Type (Optional)</b>	ePTFE, eFRM
<b>Frame Material</b>	Aluminium
<b>Seperator Style</b>	Hot Melt
<b>Gasket Material (Standard)</b>	PU, PU Gel
<b>Gasket Material (Optional)</b>	Neoprene, EPDM, Silicone Gel
<b>Gasket Position</b>	Upstream
<b>Faceguard Position</b>	Both Sides
<b>Antimicrobial Available</b>	Yes
<b>Recommended Final Resistance</b>	500 Pa
<b>Max Operating Temperature</b>	70°C
<b>UL 900 Certificate</b>	Optional
<b>FM 4920 Certificate</b>	Optional

## Housing Information

Part Number	Actual Housing Size* mm (H x W x D)	Actual Filter Size mm (H x W x D)	Supply Air Grille
<b>Gasket seal housing</b>			
M13D2-11G30-319GP	570 x 570 x 258	502 x 502 x 117	Perforated
M13D2-11G30-1811GP	570 x 900 x 258	502 x 832 x 117	
M13D2-12G30-2812GP	570 x 1140 x 258	502 x 1072 x 117	
M13D2-11G30-319GS	570 x 570 x 258	502 x 502 x 117	Swirl
<b>Gel seal housing</b>			
M13G2-11G30-319GP	570 x 570 x 258	506 x 506 x 128	Perforated
M13G2-11G30-1811GP	570 x 900 x 258	506 x 836 x 128	
M13G2-12G30-2812GP	570 x 1140 x 258	506 x 1076 x 128	
M13G2-11G30-319GS	570 x 570 x 258	506 x 506 x 128	Swirl

\*Including flange size.

## Filter Information

Part Number	Actual Filter Size mm (H x W x D)	Rated Airflow (CMH)	Rated Initial Resistance (Pa)	Gasket Material
<b>H13 / ISO 35 H</b>				
MF5742-1131-1793	502 x 502 x 117	600	135	PU
MF5742-1131-2810	502 x 832 x 117	900		
MF5742-1131-2825	502 x 1072 x 117	1,200		
MF5744-1131-1793	502 x 502 x 117	1,050	200	
MF5744-1131-2810	502 x 832 x 117	1,650		
MF5744-1131-2825	502 x 1072 x 117	2,200		
MF5042-4131-2928	506 x 506 x 128	600	135	PU Gel
MF5042-4131-2929	506 x 836 x 128	900		
MF5042-4131-2930	506 x 1076 x 128	1,200		
MF5044-4131-2828	506 x 506 x 128	1,050	200	
MF5044-4131-2829	506 x 836 x 128	1,650		
MF5044-4131-2830	506 x 1076 x 128	2,200		
<b>H14 / ISO 45 H</b>				
MF5752-1131-1793	502 x 502 x 117	600	145	PU
MF5752-1131-2810	502 x 832 x 117	900		
MF5752-1131-2825	502 x 1072 x 117	1,200		
MF5754-1131-1793	502 x 502 x 117	1,050	210	
MF5754-1131-2810	502 x 832 x 117	1,650		
MF5754-1131-2825	502 x 1072 x 117	2,200		
MF5052-4131-2928	506 x 506 x 128	600	145	PU Gel
MF5052-4131-2929	506 x 836 x 128	900		
MF5052-4131-2930	506 x 1076 x 128	1,200		
MF5054-4131-2928	506 x 506 x 128	1,050	210	
MF5054-4131-2929	506 x 836 x 128	1,650		
MF5054-4131-2930	506 x 1076 x 128	2,200		

\*Filter sitting area corner of the module that is smaller than 570x570mm will be PU sealed and not welded.

\*\*Other filter classifications are available upon request.

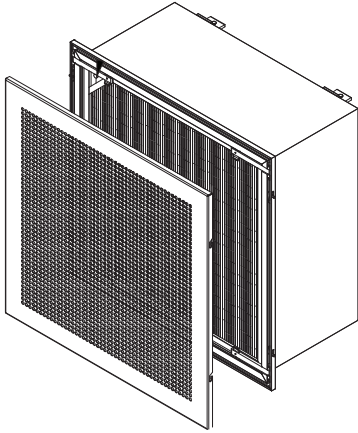
\*\*\*Customised airflow solutions are available. Please contact our sales representatives for more information.

\*\*\*\*Above rated initial resistance does not include module construction.

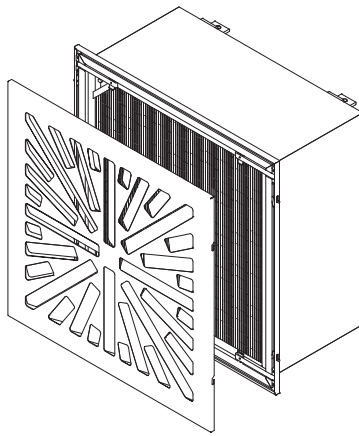


# AstroHood S-III RSR-III

## AstroHood S-III RSR-III Diffuser Options



Perforated Diffuser



Swirl Diffuser