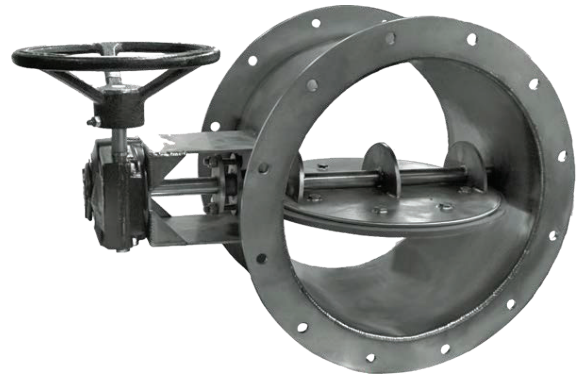


Product Overview

- Effective shut off and isolation of one or more tiers of filters
- Cost effective isolation of filter banks
- Special requirements may be satisfied through custom design



DBT - * - FB - 304 - 18

Damper Series
DBT = Damper, Bubble Tight

Actuator Options
M = Manual
P = Pneumatic
E = Electric

Blade
FB = Flat Blade

Damper Size
(see chart below)

Housing Material Type
304 = Type 304 Stainless Steel (Standard)
304L = Type 304L Stainless Steel
316 = Type 316 Stainless Steel
316L = Type 316L Stainless Steel

Product Information

Part Number	ID (Inches)	Diameter of Bolt Circle (Inches)	Number of Bolt Holes
DBT*-FB-304-6	5 $\frac{3}{4}$	8 $\frac{1}{16}$	8
DBT*-FB-304-8	7 $\frac{3}{4}$	10 $\frac{1}{16}$	8
DBT*-FB-304-10	9 $\frac{3}{4}$	12 $\frac{1}{16}$	12
DBT*-FB-304-12	11 $\frac{3}{4}$	14 $\frac{1}{16}$	12
DBT*-FB-304-14	13 $\frac{3}{4}$	16 $\frac{1}{16}$	16
DBT*-FB-304-16	15 $\frac{3}{4}$	18 $\frac{1}{16}$	16
DBT*-FB-304-18	17 $\frac{3}{4}$	20 $\frac{1}{16}$	16
DBT*-FB-304-20	19 $\frac{3}{4}$	22 $\frac{1}{16}$	20
DBT*-FB-304-22	21 $\frac{3}{4}$	24 $\frac{1}{16}$	20
DBT*-FB-304-24	23 $\frac{3}{4}$	26 $\frac{1}{16}$	24
DBT*-FB-304-26	25 $\frac{3}{4}$	28 $\frac{1}{16}$	24
DBT*-FB-304-28	27 $\frac{3}{4}$	30 $\frac{1}{16}$	24
DBT*-FB-304-30	29 $\frac{3}{4}$	32 $\frac{1}{16}$	28
DBT*-FB-304-32	31 $\frac{3}{4}$	34 $\frac{1}{16}$	28
DBT*-FB-304-34	33 $\frac{3}{4}$	36 $\frac{1}{16}$	32
DBT*-FB-304-36	35 $\frac{3}{4}$	38 $\frac{1}{16}$	32

*Type of Actuator.

Note: Dimensions shown are AAF Flanders standard.
AAF Flanders can manufacture dampers to custom fit any existing ductwork.
Static pressure through open dampers is negligible with reasonable velocities.

